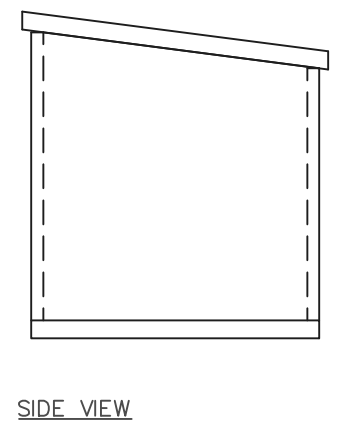
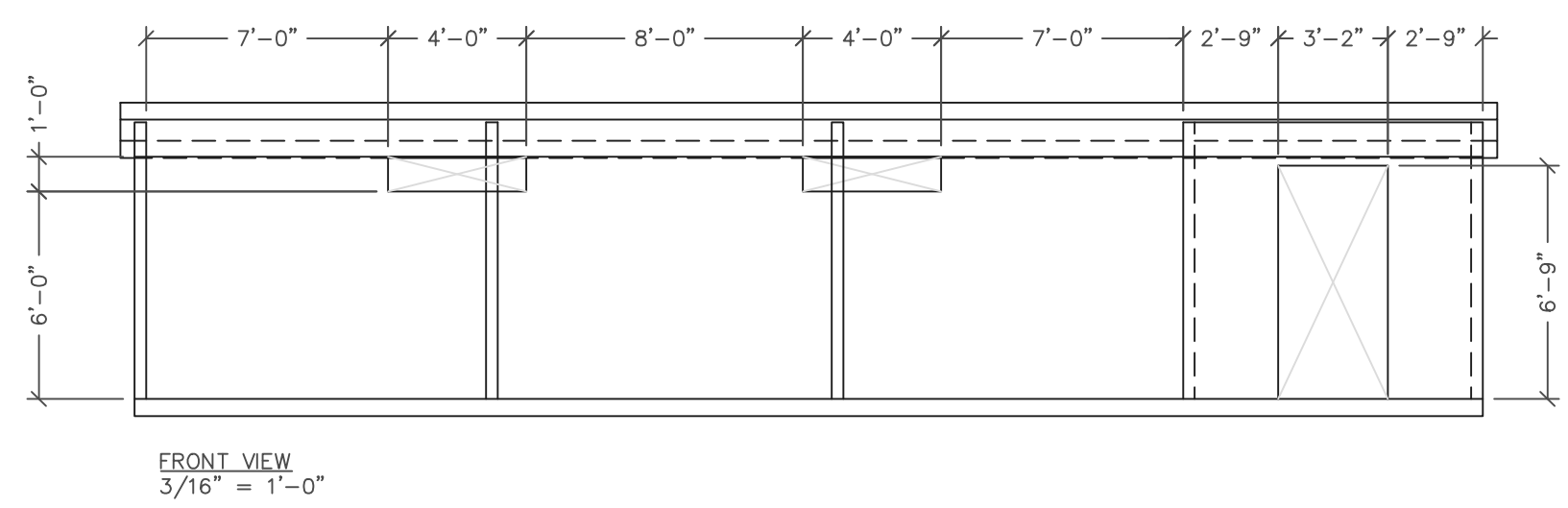
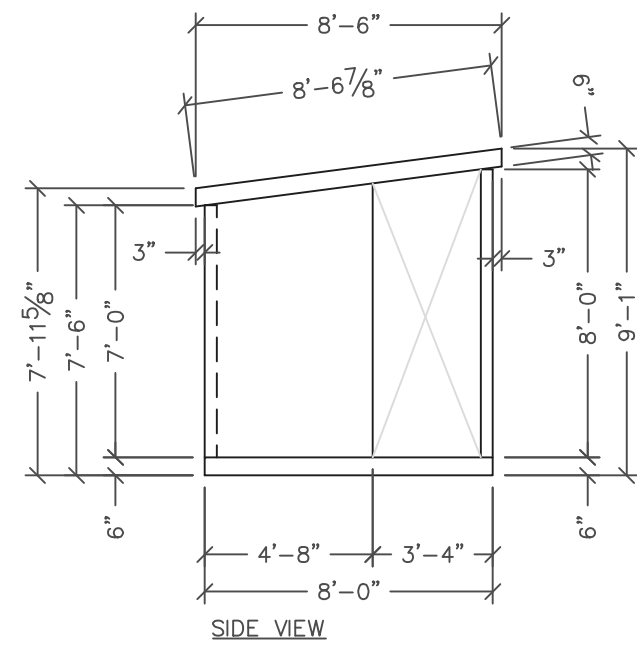
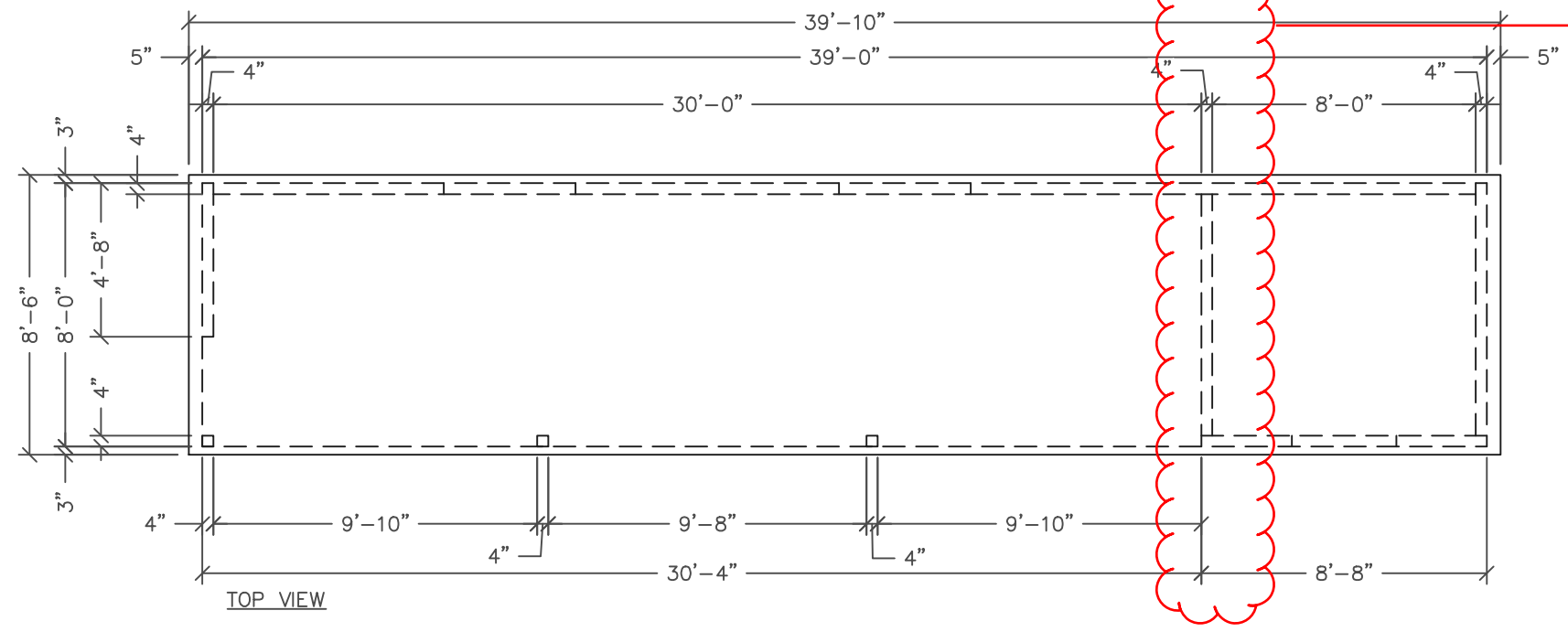


Need to add a 4" wall on the dugout side. Storage room will be an independent structure. Post Tension the dugout and storage room onsite.



8' x 30' High School Dugout w/Storage Room